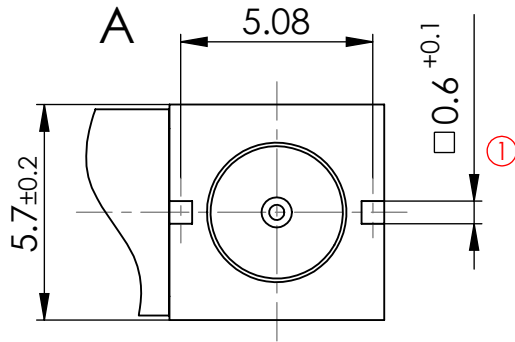
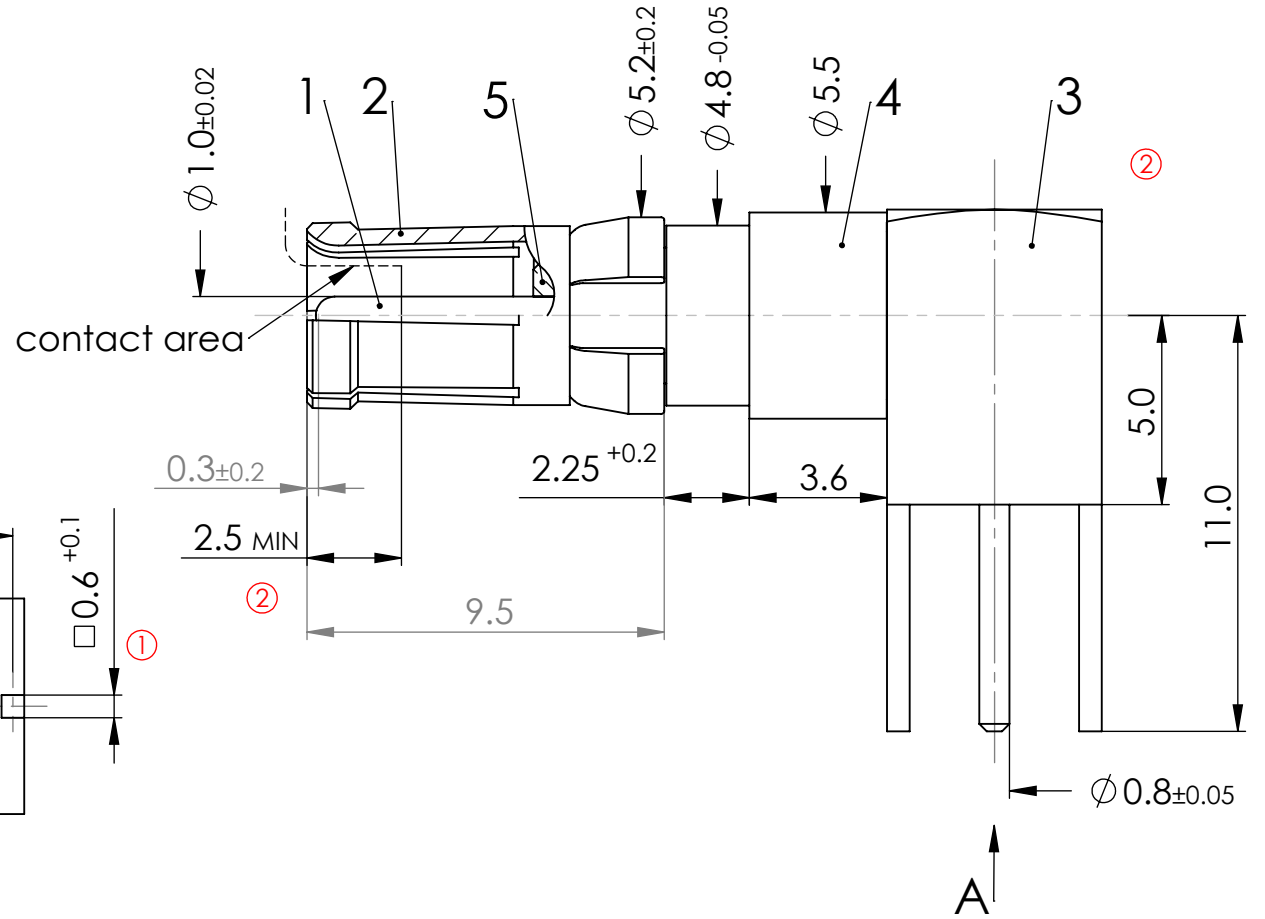
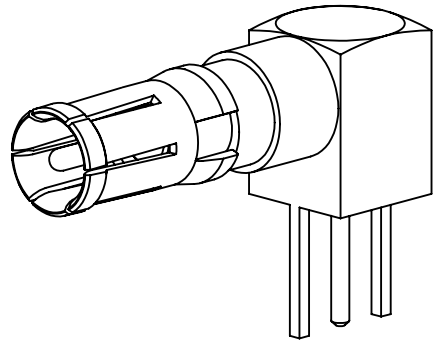
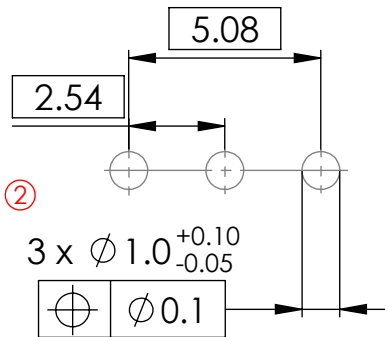


COMMENT:
 ALL RIGHTS ARE RESERVED BY US FOR THIS DRAWING. WITHOUT OUR PRIOR CONSENT,
 IT MAY NEITHER BE DUPLICATED NOR MADE AVAILABLE TO A THIRD PARTY,
 AND IT ALSO MAY NOT BE IMPROPERLY USED BY TE RECEIVER, OR A THIRD PARTY.



PCB-Layout



IMPEDANCE	50 Ohm	<i>COAXIAL CONTACT</i>		SCALE	CABLE	
FOR	D-SUB			5:1		
DIMENSIONS IN MM		DRAWN	NAME / DATE			
MATERIAL + FINISH SEE EXTRA SHEET		CHECKED	D. Bocan 12-03-2003			
UNLESS OTHERWISE SPECIFIED DIMENSIONS FOR REFERENCE ONLY			msteinbrueck 12-07-2006			
2	01-03-2006	11381			PART NO.	REV.
REV.	DATE	INDEX			FME008S	3
ORIGINAL: DIN A4-DRAWING AS A FILE					REPLACEMENT FOR:	PAGE: 1/1