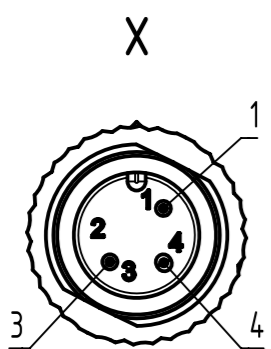
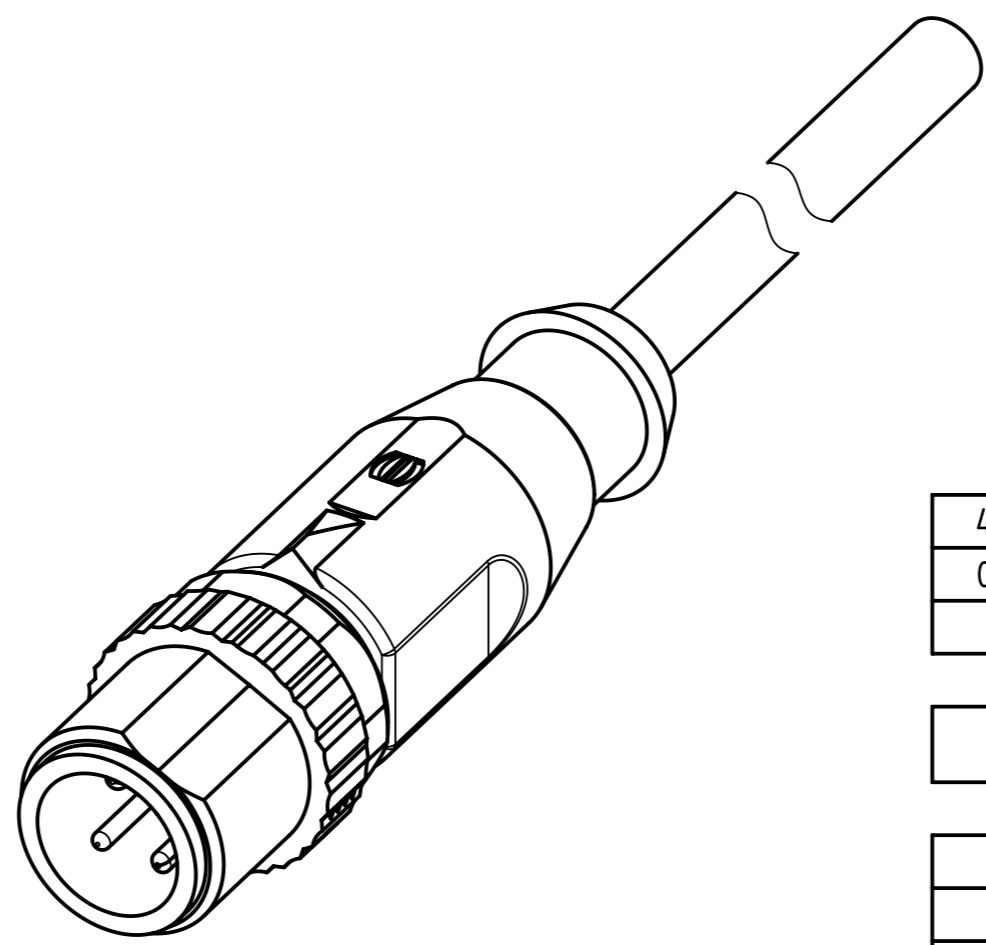


M12 A-coded 3-pole, male straight connector



- Loading-Plan:**
- 1 brown
 - 3 blue
 - 4 black

- Protection level: IP67
 - Temperature range: -25°C ... +80°C



length in "1m" step	40	XXX=400
	39	XXX=390
	.	.
	12	XXX=120
	11	XXX=110
length in "0.1m" step	10	XXX=100
	9.9	XXX=099
	9.8	XXX=098
	.	.
	0.4	XXX=004
	0.3	XXX=003
	0.2	XXX=002
	0.1	XXX=001
Step	a [m]	XXX

4.0 to 40	+1%
0.1 to 3.9	+0.04
a [m]	Tolerance

Part no.	213484003XXXXXX
----------	-----------------

Type of cable	XX
PVC grey, 3x0.34mm ²	XX=83
PUR black, 3x0.34mm ²	XX=90

	All rights reserved	Created by	Inspected by	Standardisation	Date	State
	Department EC PD - RO	MUNTEANV	AVRAM	HOFFMANN	2015-06-18	Final Release
HARTING Electronics GmbH		Title			Doc-Key / ECM-Nr.	
D-32339 Espelkamp		M12 A-coded Cable Assembly			100578777/UGD/009/B 50000090458	
Type	TB	Number	213484003XXXXXX		Rev.	Page
					B	1/1