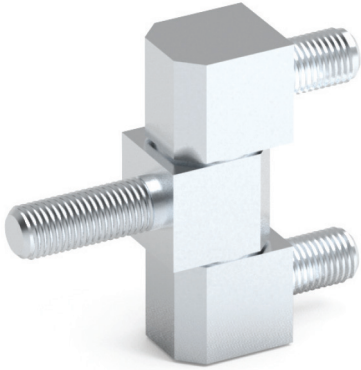


SIDE HINGES

SIDE HINGE

793



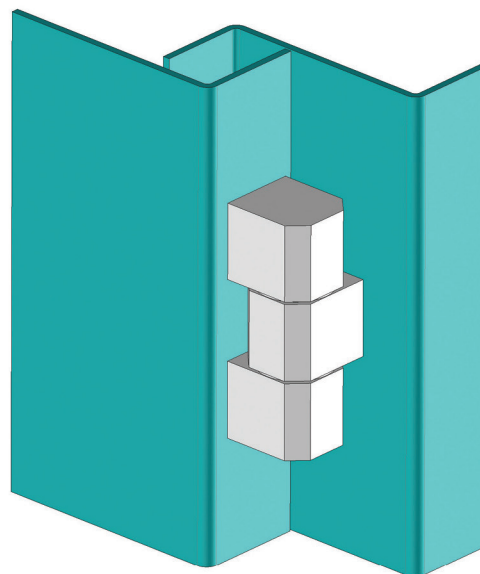
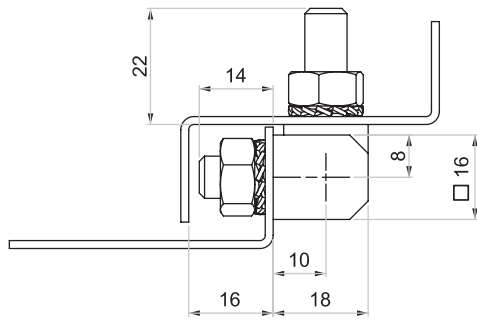
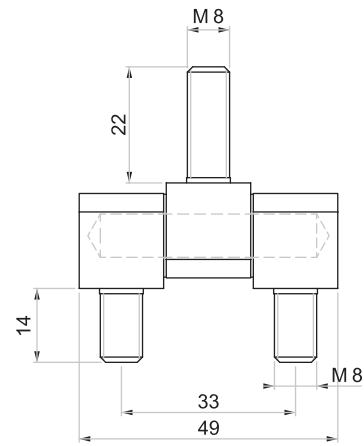
LH/RH

- For medium voltage and heavy door panels
- Hinge parts produced from hardened steel

APPLICATIONS
Electric panels, machinery covers

MATERIAL
Steel

FINISH
Zinc plated

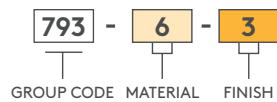


Hinge Rotation Angle



⚠ Note: Nuts and washers are not supplied.

PRODUCT CODE



MATERIAL	M	FINISH	F
Steel	6	Zinc plated	3