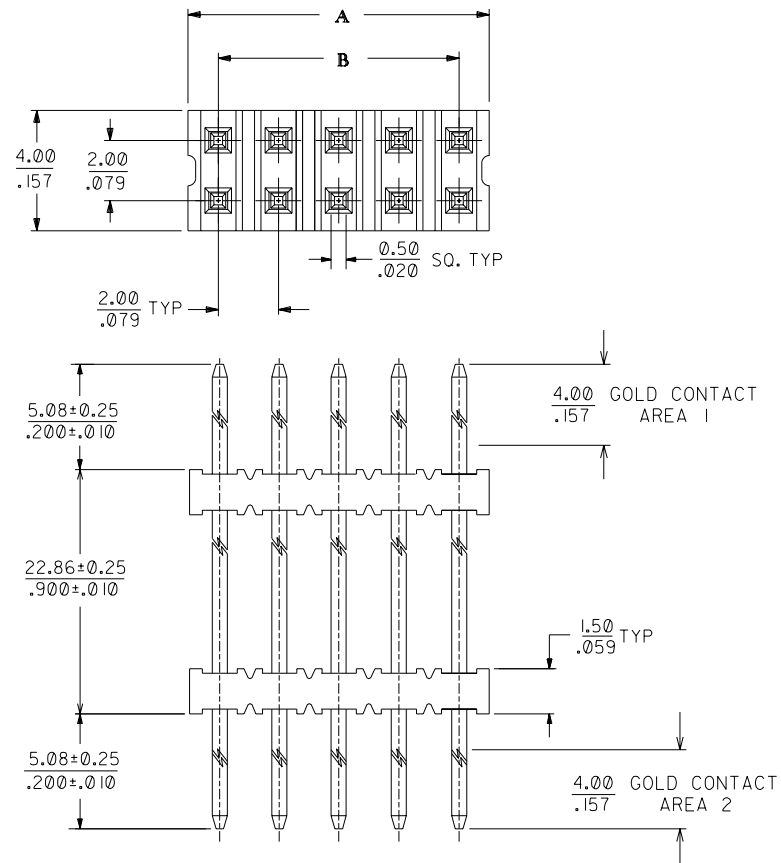
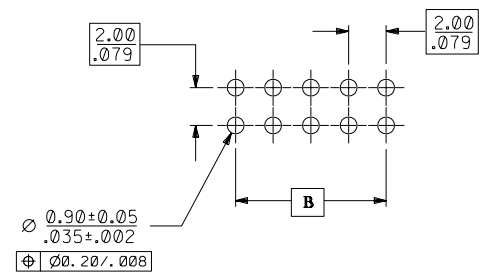


PART NO.	CKT SIZE	DIMENSION			
		A		B	
		MM	INCH	MM	INCH
87761-0001	10	9.90	.390	8.00	.315



NOTES:

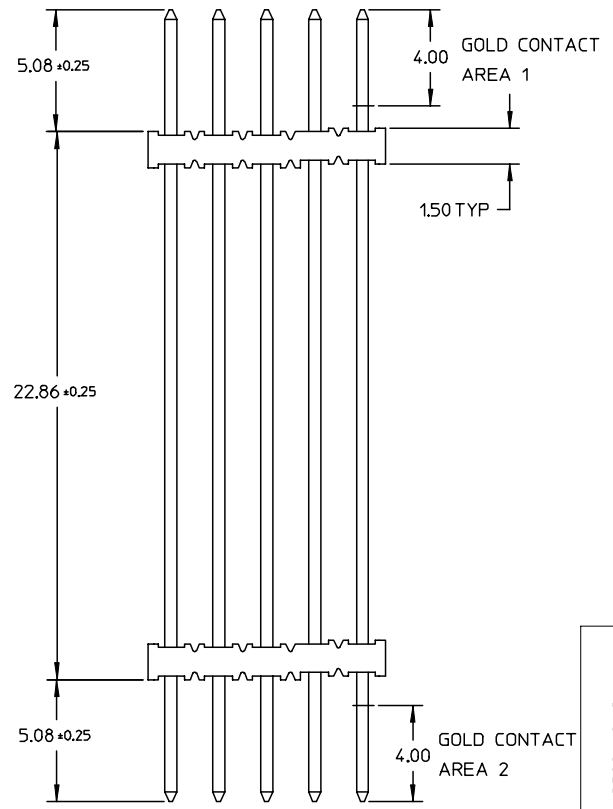
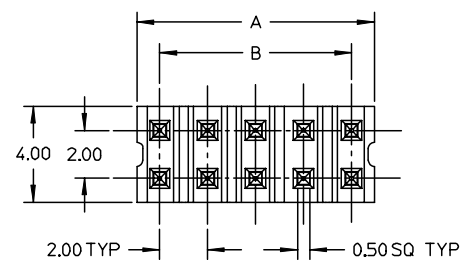
- 1) PLATING:
PIN : 0.38um/15u" MIN GOLD IN SELECTIVE CONTACT AREA 1 & 2, BOTH OVER NICKEL OVERALL.
- 2) MATERIAL:
HSG : HIGH TEMP THERMOPLASTIC, COLOR BLACK
PIN : 0.50mm SQ. COPPER ALLOY.
- 3) 10 CKT USED FOR ILLUSTRATION ONLY.
- 4) PACKED IN POCKET TRAY.



RECOMMENDED PCB PATTERN
(SCALE 5:1)

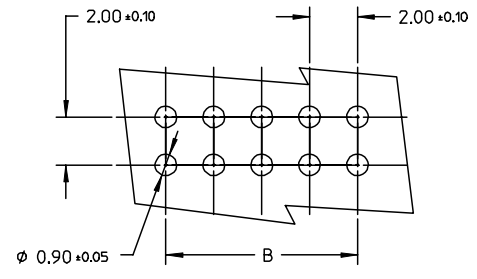
REL PER PDR*5-000208-00-00 EC NO. S2002-0516 DRWN: KSEE 020614 CHK: LING 020624 APPR: TOH 020626	QUALITY SYMBOLS MAJOR ▼ = 0 CRITICAL ▽ = 0	GENERAL TOLERANCES: (UNLESS SPECIFIED)		SCALE NTS	DESIGN UNITS <input checked="" type="checkbox"/> mm <input type="checkbox"/> INCH	THIRD ANGLE PROJECTION	DIMENSIONS: <input checked="" type="checkbox"/> mm <input type="checkbox"/> INCH <input type="checkbox"/> mm ONLY	SHT	REV
		4 PLACES	±0. -	±. -	DRAWN BY & DATE KSEE 020614	TITLE: 2MM DUAL ROW, DUAL WAFER , 10 CKT VERTICAL THROUGH HOLE HDR.			
		3 PLACES	±0. -	±. 0.10	CHECKED BY & DATE LING 020624	MATERIAL NO. SEE TABLE			
		2 PLACES	±0.25	±. -	APPROVED BY & DATE TOH 020626	DRAWING NO. SD-87761-001			
1 PLACE	±0. -	±. -	ANGULAR: ± 3 °	CAD FILENAME		SHEET NO. 1 OF 1		SIZE A3	
A	REV	THIS DRAWING CONTAINS INFORMATION THAT IS PROPRIETARY TO MOLEX INCORPORATED AND SHOULD NOT BE USED WITHOUT WRITTEN PERMISSION.							

			87761
PART NUMBER	CKT SIZE	DIM.A	DIM.B
87761-0001	10	9.90	8.00



NOTES:

- MATERIAL:
HOUSING: HIGH TEMP THERMOPLASTIC, COLOR: BLACK
PIN: 0.50mm SQ. COPPER ALLOY
- PLATING: 0.38µm/15µm MIN GOLD IN SELECTIVE CONTACT AREA
TIN/LEAD IN SOLDER TAIL AREA 1 & 2
BOTH OVER NICKEL OVERALL
- 10 CKT USED FOR ILLUSTRATION ONLY
- PACKED IN POCKET TRAY
- PIN PUSHOUT FORCE: 1KG MIN IN EITHER DIRECTION
- PRODUCT SPECIFICATION: PS-87761-100



RECOMMENDED PCB PATTERN

EC NO: S2004-0112 DRWN:RSHAN 2003/09/24 CHKD:KCLING 2003/09/24 APPR:SKTOH 2003/10/07	DESCRIPTION	QUALITY SYMBOLS	GENERAL TOLERANCES (UNLESS SPECIFIED)		SCALE NTS	DESIGN UNITS	THIRD ANGLE PROJECTION	REVISE ON CAD ONLY	
		▽ = 0 ∇ = 0	mm	INCH	MM ONLY	METRIC			
A	REV	4 PLACES	± ---	± ---	DIMENSION STYLE		TITLE		
		3 PLACES	± ---	± ---	MM ONLY		2MM DUAL ROW, DUAL WAFER VERTICAL THROUGH HOLE HEADER, 10CKT		
		2 PLACES	± 0.20	± ---	DRAWN BY	DATE	MATERIAL NO. DOCUMENT NO. SHEET NO.		
		1 PLACE	± ---	± ---	RSHAN	2003/09/08	SEE TABLE	SD-87761-028	1 OF 1
		ANGULAR ± 1 °		CHECKED BY		DATE	MATERIAL NO. DOCUMENT NO. SHEET NO.		
		DRAFT WHERE APPLICABLE		KCLING		2003/09/19	MATERIAL NO. DOCUMENT NO. SHEET NO.		
		MUST REMAIN WITHIN DIMENSIONS		APPROVED BY		DATE	MATERIAL NO. DOCUMENT NO. SHEET NO.		
				SKTOH		2003/09/22	MATERIAL NO. DOCUMENT NO. SHEET NO.		
				THIS DRAWING CONTAINS INFORMATION THAT IS PROPRIETARY TO MOLEX INCORPORATED AND SHOULD NOT BE USED WITHOUT WRITTEN PERMISSION					B