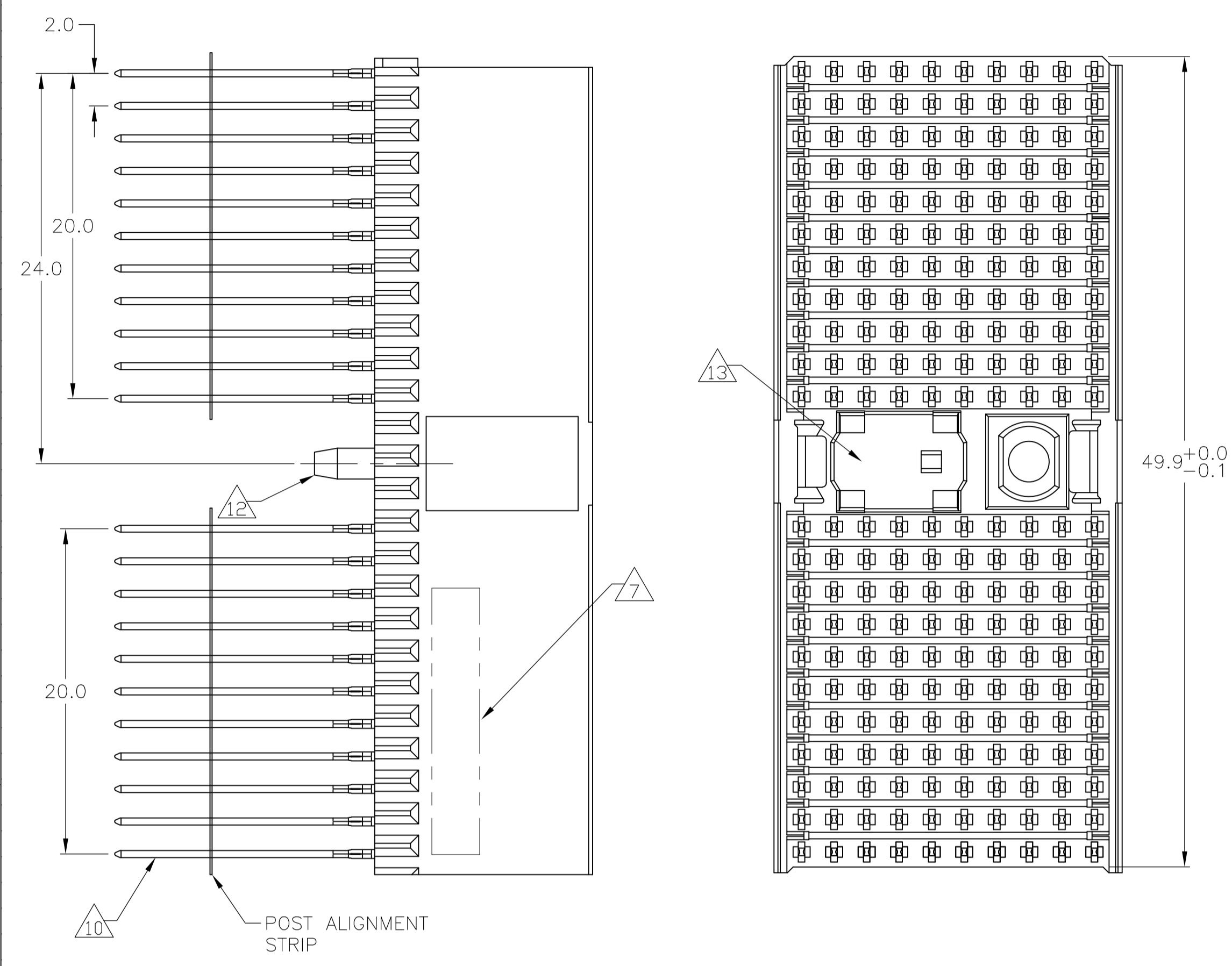
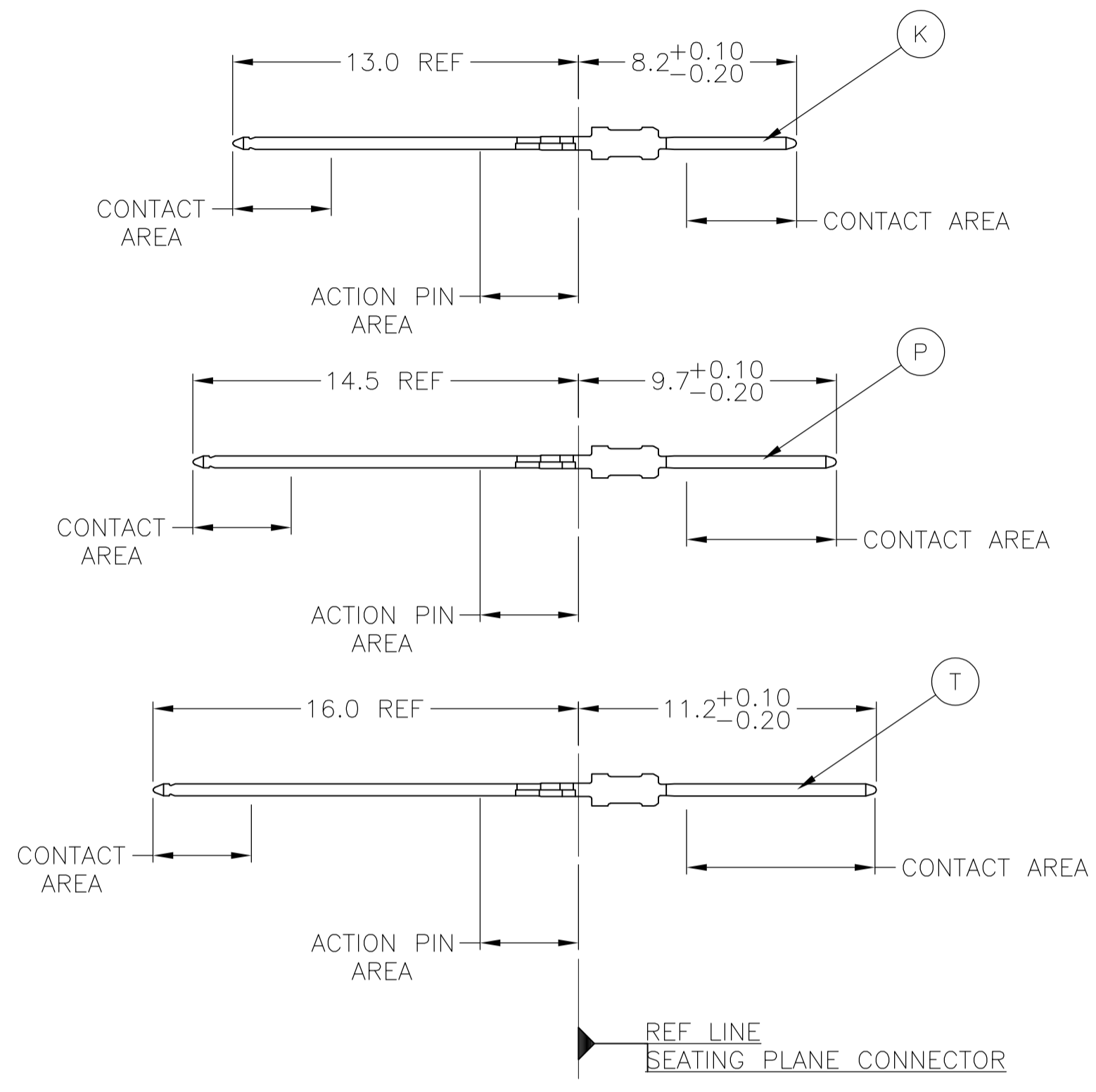


LOC		DIST		REVISIONS			
P	LTR	DESCRIPTION	DATE	DMN	APVD		
E	REV PER EC	OS12-0303-05	05APR06	BC	GS		
F	ECR-10-018652		10SEP10	JS	MQW		
G	ECR-12-009864		05DEC12	SY	AC		

### CONNECTOR ASSEMBLY EXAMPLARY LOADED 9

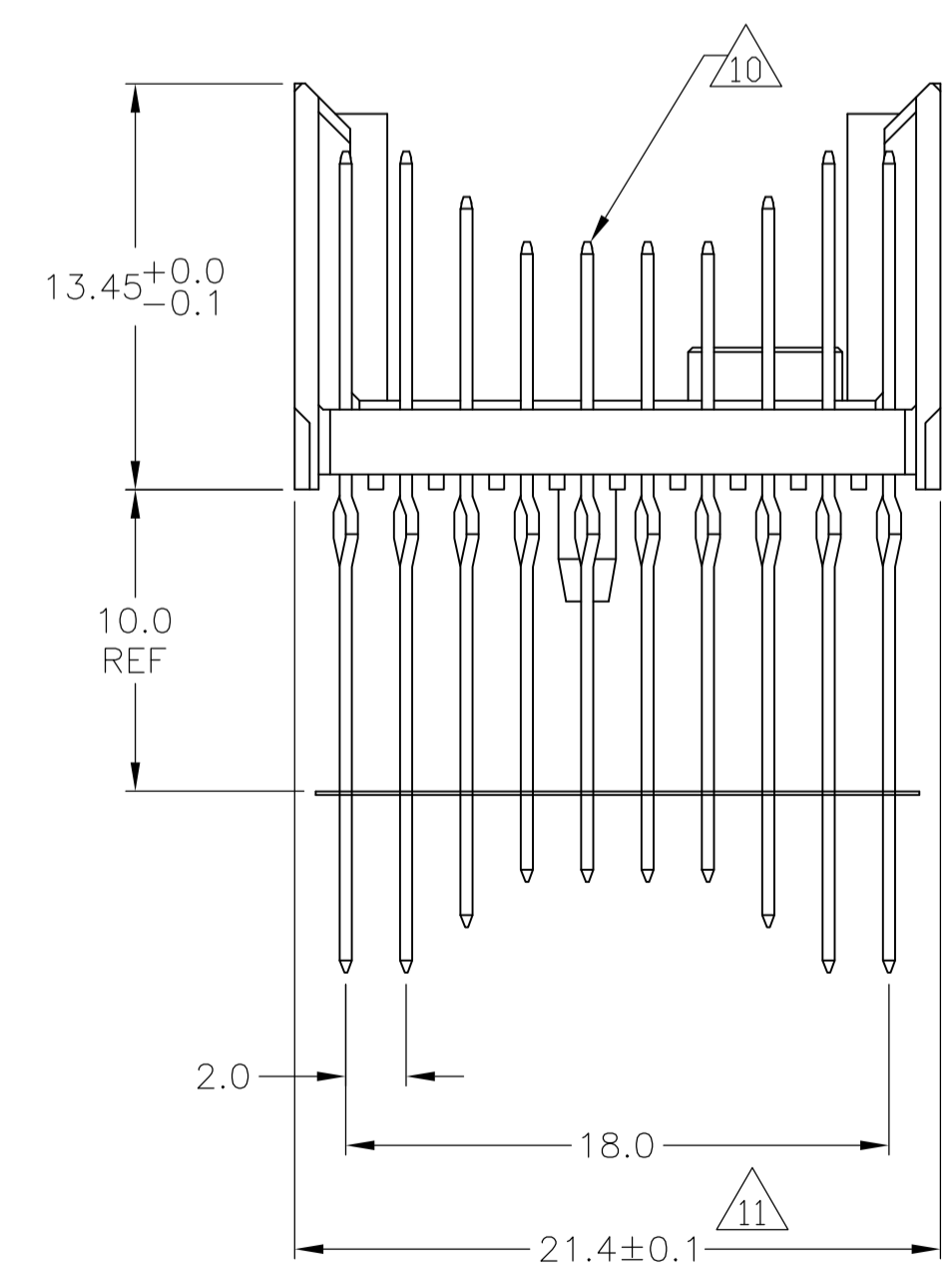


### CONTACT DIMENSIONS SCALE 5:1

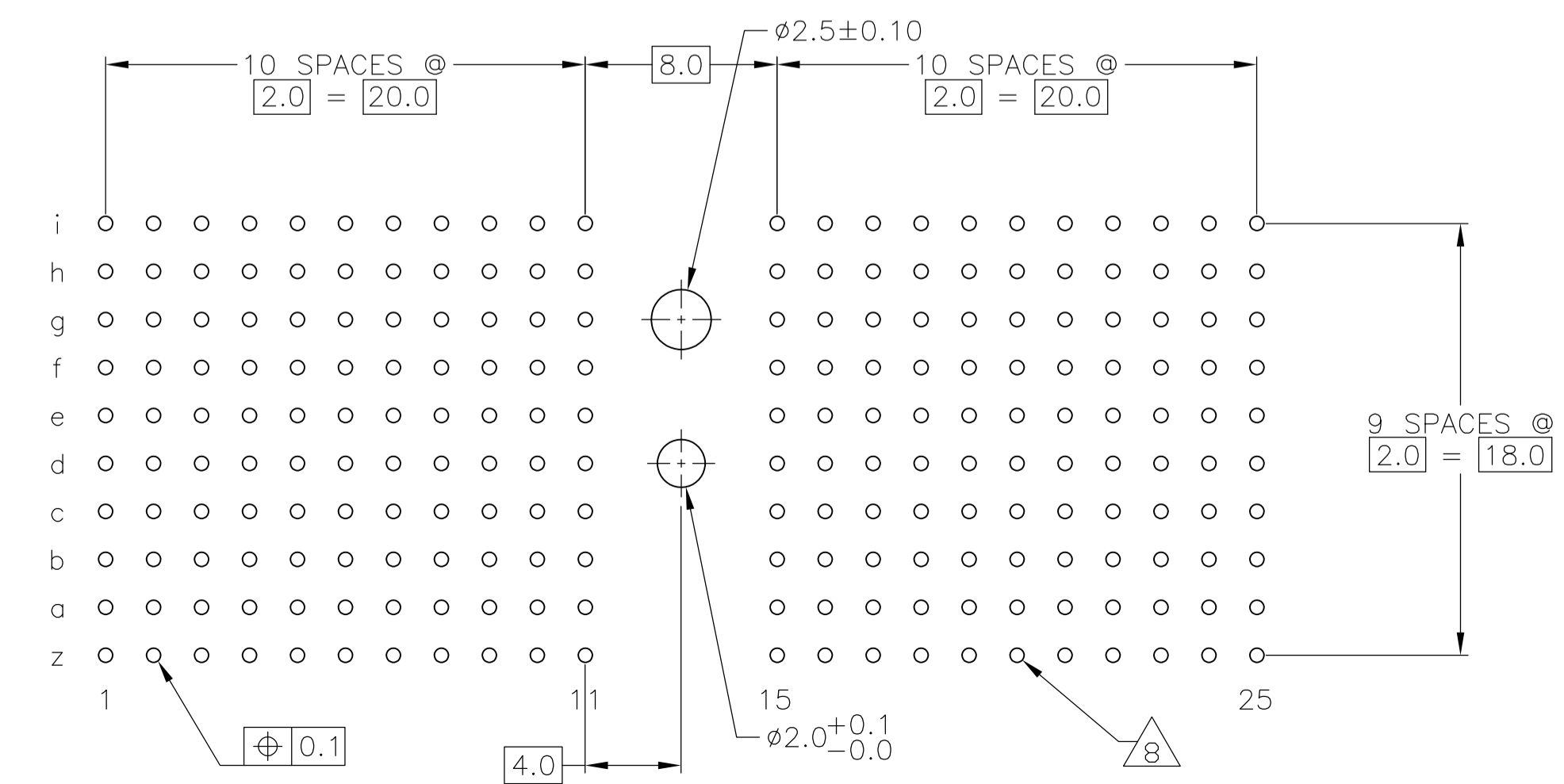


### CONTACT LAYOUT

	z	a	b	c	d	e	f	g	h	i
1	T	T	P	K	K	K	K	P	T	T
2	T	T	P	K	K	K	K	P	T	T
3	T	T	P	K	K	K	K	P	T	T
4	T	T	P	K	K	K	K	P	T	T
5	T	T	P	K	K	K	K	P	T	T
6	T	T	P	K	K	K	K	P	T	T
7	T	T	P	K	K	K	K	P	T	T
8	T	T	P	K	K	K	K	P	T	T
9	T	T	P	K	K	K	K	P	T	T
10	T	T	P	K	K	K	K	P	T	T
11	T	T	P	K	K	K	K	P	T	T
MULTI PURPOSE CENTER										
15	T	T	P	K	K	K	K	P	T	T
16	T	T	P	K	K	K	K	P	T	T
17	T	T	P	K	K	K	K	P	T	T
18	T	T	P	K	K	K	K	P	T	T
19	T	T	P	K	K	K	K	P	T	T
20	T	T	P	K	K	K	K	P	T	T
21	T	T	P	K	K	K	K	P	T	T
22	T	T	P	K	K	K	K	P	T	T
23	T	T	P	K	K	K	K	P	T	T
24	T	T	P	K	K	K	K	P	T	T
25	T	T	P	K	K	K	K	P	T	T



### RECOMMENDED PCB-HOLE LAYOUT COMPONENT SIDE SHOWN



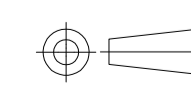
### PLATED THRU HOLES PARAMETERS REFERENCE APPLICATION SPECIFICATION

<span style="border: 1px solid black; padding: 2px;">2</span>	<span style="border: 1px solid black; padding: 2px;">6</span>	<span style="border: 1px solid black; padding: 2px;">14</span>	1-646375-9
<span style="border: 1px solid black; padding: 2px;">2</span>	<span style="border: 1px solid black; padding: 2px;">5</span>	<span style="border: 1px solid black; padding: 2px;">14</span>	646375-9
<span style="border: 1px solid black; padding: 2px;">2</span>	<span style="border: 1px solid black; padding: 2px;">4</span>	<span style="border: 1px solid black; padding: 2px;">14</span>	646375-4
<span style="border: 1px solid black; padding: 2px;">2</span>	<span style="border: 1px solid black; padding: 2px;">3</span>	<span style="border: 1px solid black; padding: 2px;">14</span>	646375-1
OBSOLETE			
FINISH			PART NUMBER

THIS DRAWING IS A CONTROLLED DOCUMENT.

DIMENSIONS: mm	TOLERANCES UNLESS OTHERWISE SPECIFIED:	0-PLC ±	1-PLC ±0.1	2-PLC ±0.2	3-PLC ±0.3	4-PLC ±0.4	ANGLES ±
MATERIAL <span style="border: 1px solid black; padding: 2px;">1</span>		FINISH SEE TABLE		DIN S. WAITMAN 20JUL05		G. SKIPPER 20JUL05	
Tyco Electronics Corporation Harrisburg, Pa 17105-3608				Tyco Electronics			
NAME MALE ASSEMBLY, Z-PACK 2mm HM, TYPE D				PRODUCT SPEC 108-1622			
APPLICATION SPEC 114-19029				SIZE CASE CODE DRAWING NO. A1 00779			
WEIGHT				RESTRICTED TO			
CUSTOMER DRAWING				SCALE 4:1 SHEET 1 OF 2 REV G			

- 1 MATERIAL:  
CONTACT: PHOSPHOR BRONZE.  
HOUSING: GLASS-FILLED POLYESTER.
- 2 GENERAL PLATING SPECIFICATION: UNDERPLATING  
(ENTIRE CONTACT): 1.27µm MIN NICKEL AND ACTION  
PIN: 0.5µm MIN TIN\LEAD.  
FOR PLATING OF MATING SURFACES SEE APPLICABLE  
SPECIFICATION REFERENCE FOR EACH DASH NUMBER.
- 3 CONFORMS TO ALL TESTING ACCORDING TO IEC 61076-4-101  
PERFORMANCE LEVEL 2.
- 4 CONFORMS TO ALL TESTING ACCORDING TO IEC 61076-4-101  
PERFORMANCE LEVEL 1.
- 5 CONNECTOR TESTED AND QUALIFIED AGAINST TELCORDIA GR-1217-CORE QUALITY LEVEL 3,  
CENTRAL OFFICE APPLICATIONS.
- 6 CONNECTOR TESTED AND QUALIFIED AGAINST TELCORDIA GR-1217-CORE QUALITY LEVEL 3,  
UNCONTROLLED ENVIROMENT APPLICATIONS.
- 7 CONNECTOR MARKED WITH PART NUMBER AND DATE CODE.  
ADDITIONAL CHARACTERS OR MARKINGS, AS WELL AS THE LOCATION OF THE MARKINGS,  
MAY BE ADDED FOR TRACEABILITY BASED UPON MANUFACTURERS DISCRETION.
- 8 PLATED-THROUGH HOLES AT 2x2mm SQUARE GRID  
PATTERN DEFINED BY CONTACT LAYOUT.
- 9 FOR ACTUAL PIN LOADING SEE "CONTACT LAYOUT".
- 10 FOR ACTUAL PIN DIMENSIONS SEE "CONTACT DIMENSIONS".
- 11 TO BE MEASURED AT BOTTOM OF SHROUD.
- 12 POLARIZATION FEATURE.
- 13 AREA RESERVED FOR KEYING PART (BASIC P/N 100525).
- 14 CONNECTOR LUBRICATED WITH BELCORE APPROVED LUBRICANT,  
TECHNICAL REFERENCE: TR-NWT-001217 ISSUE 1, SEP 1992.

THIS DRAWING IS A CONTROLLED DOCUMENT.		DIN S. WAITMAN 20JUL05	Tyco Electronics Corporation Harrisburg, Pa 17105-3608	
DIMENSIONS: mm		CHK G. SKIPPER 20JUL05	NAME MALE ASSEMBLY, Z-PACK 2mm HM, TYPE D	
TOLERANCES UNLESS OTHERWISE SPECIFIED: ±0.2		APVD G. SKIPPER 20JUL05	PRODUCT SPEC 108-1622	
		APPLICATION SPEC 114-19029	SIZE A1	CAGE CODE 00779
MATERIAL SEE SHEET 1	FINISH SEE SHEET 1	WEIGHT -	DRAWING NO 646375	RESTRICTED TO -
CUSTOMER DRAWING		SCALE 4:1	SHEET 2	OF 2