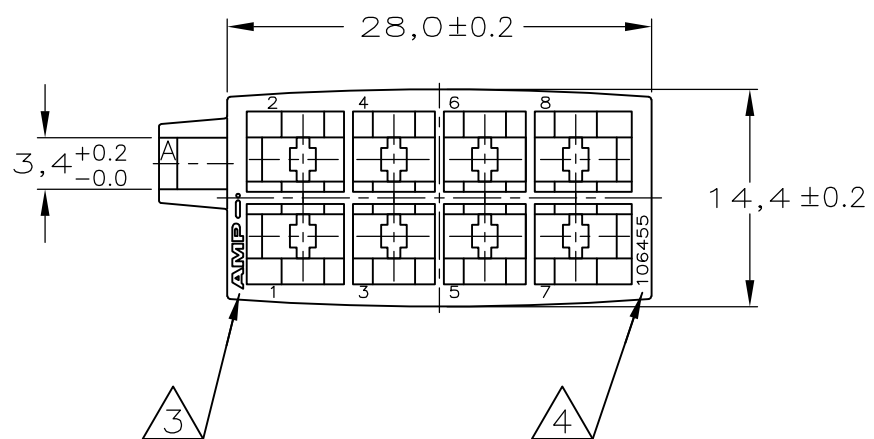
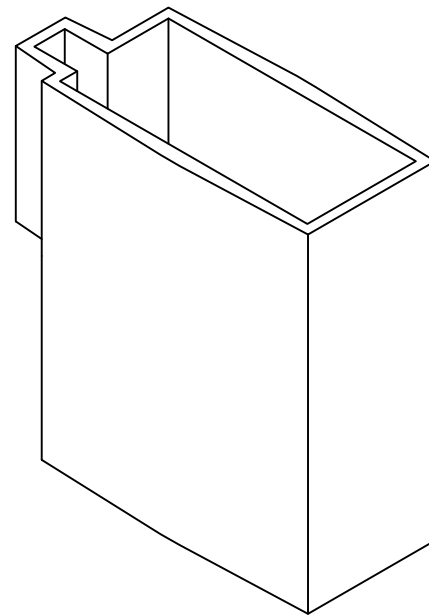
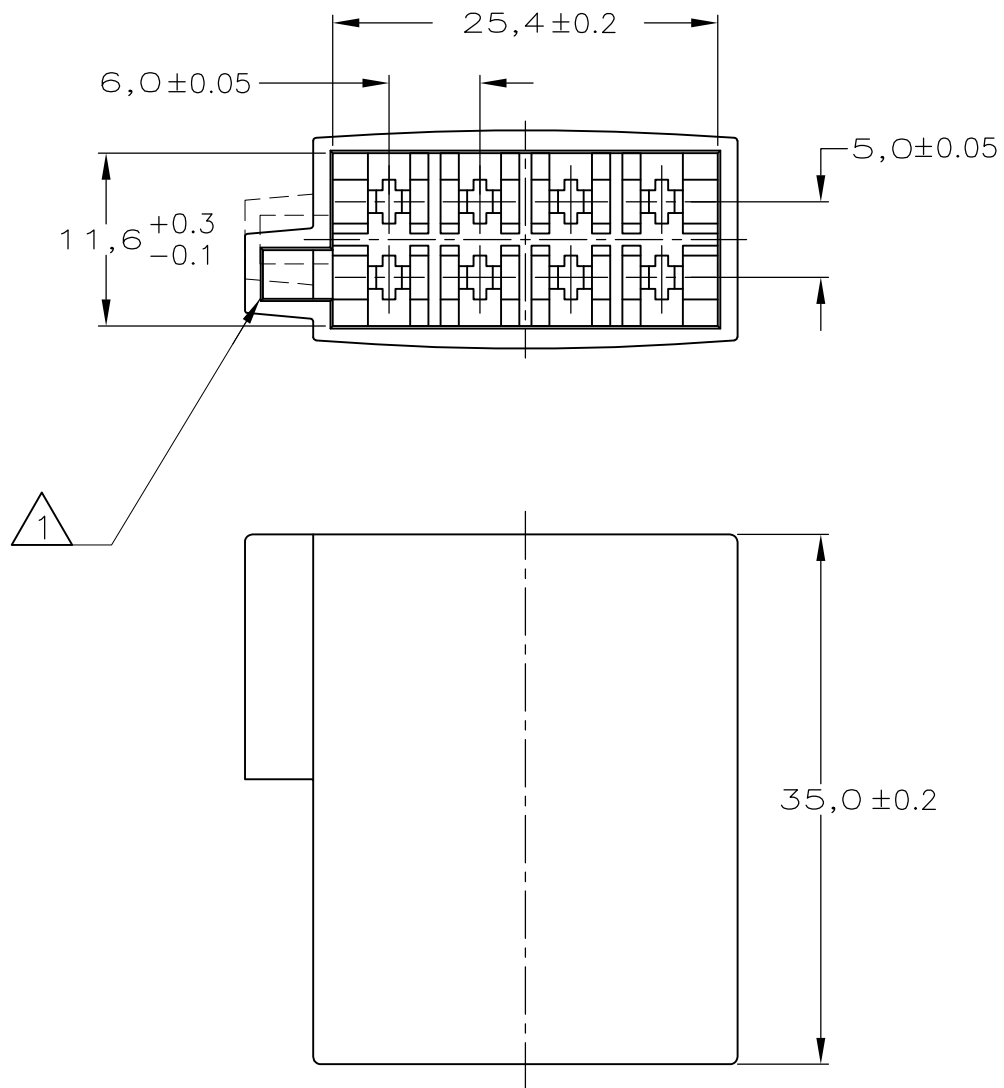



NOTES:

- ① TWO DIFFERENT KEYING VERSIONS
- ② TABS 160743 (STANDARD) AND 927892 (SIDEWAY) CAN BE USED IN THIS HOUSING
- ③ AMP TRADE MARK.
- ④ TE PN. IDENTIFICATION.



- 1 AS SHOWN

BROWN	PBT	106455-4
GREY	PBT	106455-3
YELLOW	PBT	106455-2
BLACK	PBT	106455-1

		FINISH			MATERIAL		PARTNUMBER			
-	-	-	-	-	CUSTOMER DRAWING FOR REFERENCE ONLY WILL NOT BE UPDATED					
D1	ECR-12-008730	PKS	RRP	11MAY2012	© COPYRIGHT 19 - BY TE AMP HOLLAND B.V. ALL INTERNATIONAL RIGHTS RESERVED. TE PRODUCTS MAY BE COVERED BY U.S. AND FOREIGN AND/OR PATENTS PENDING. THIS DRAWING IS UNPUBLISHED RELEASED FOR PUBLICATION ,19					
D	EH-0255-94	JvL	RotB	13-04-94	 TE Connectivity					
C	EH-0003-94	JvL	RotB	12-01-94						
B	EH-0795-93	JvL	RotB	19-10-93						
A	EH-0692-93	JvL	RotB	17-09-93						
O	EH-0587-93	JvL	RotB	23-07-93						
LTR.	REVISION RECORD			DR.	CHK.	DATE				
DR.:	J.v.LIEMPT	CHK.:	R.o.t.BERG	APP.:	L.v.SOEST	DWG.No.		REV.LTR.	SHEET	A3
DATE:	23 JUL 93	DATE:	-	DATE:	-	C-106455		01	1 OF 1	

