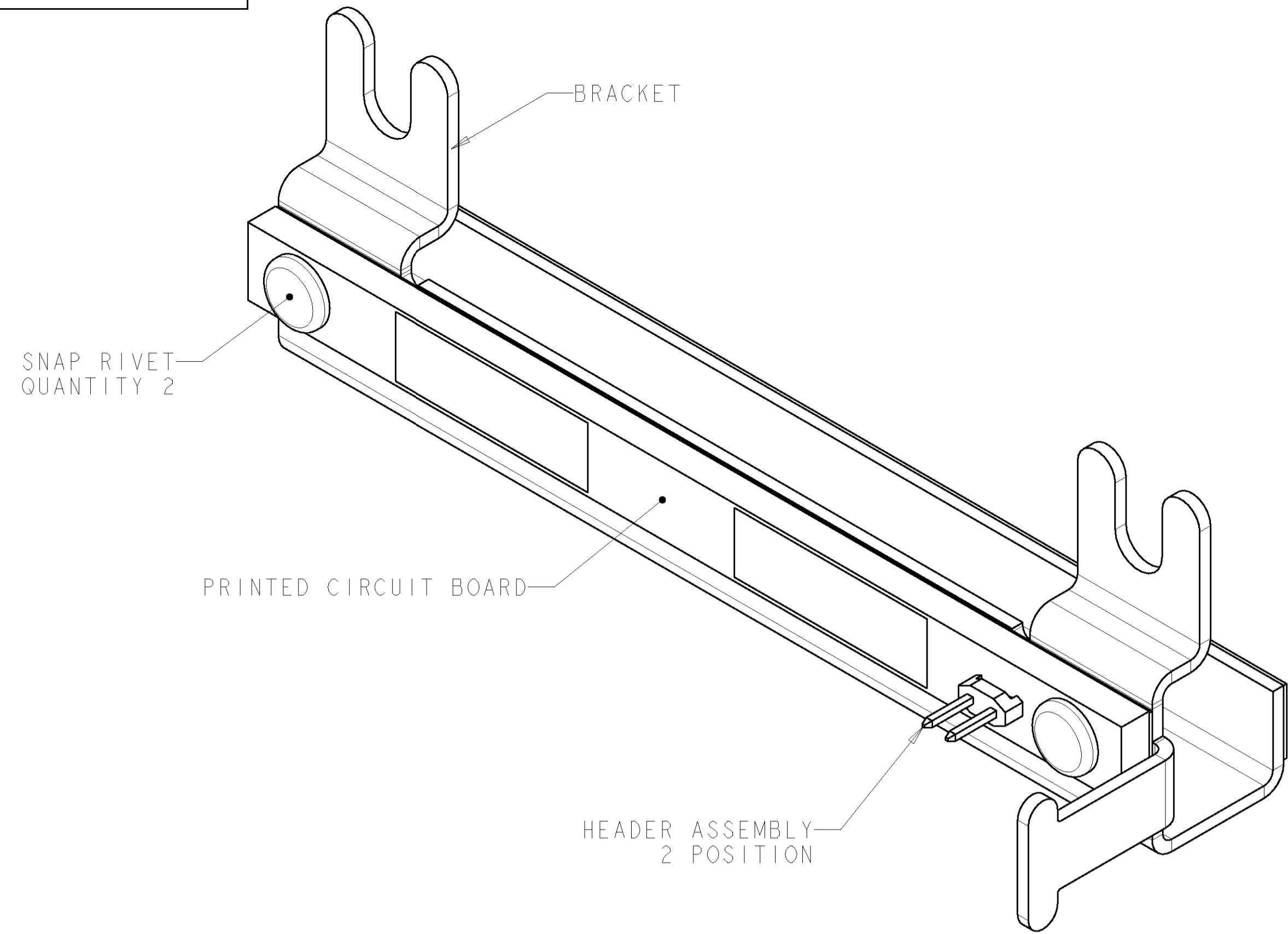
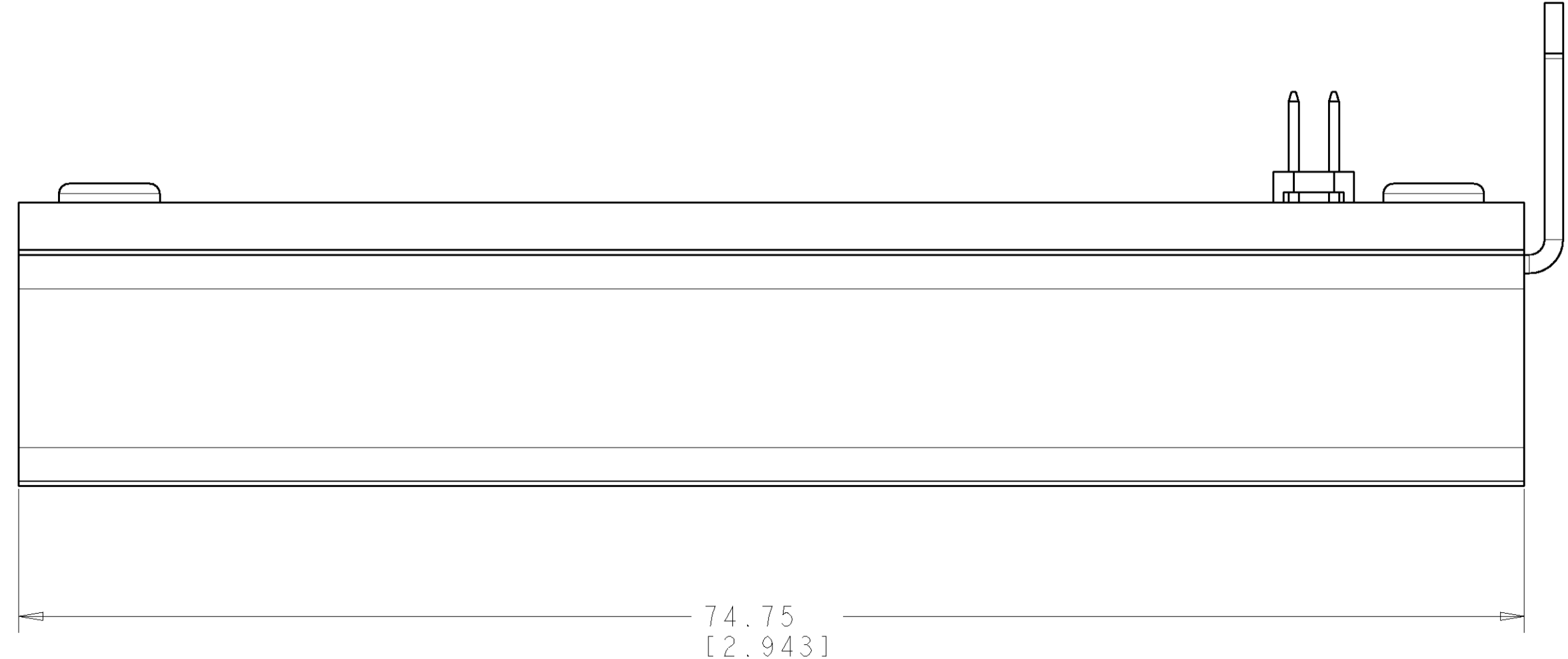
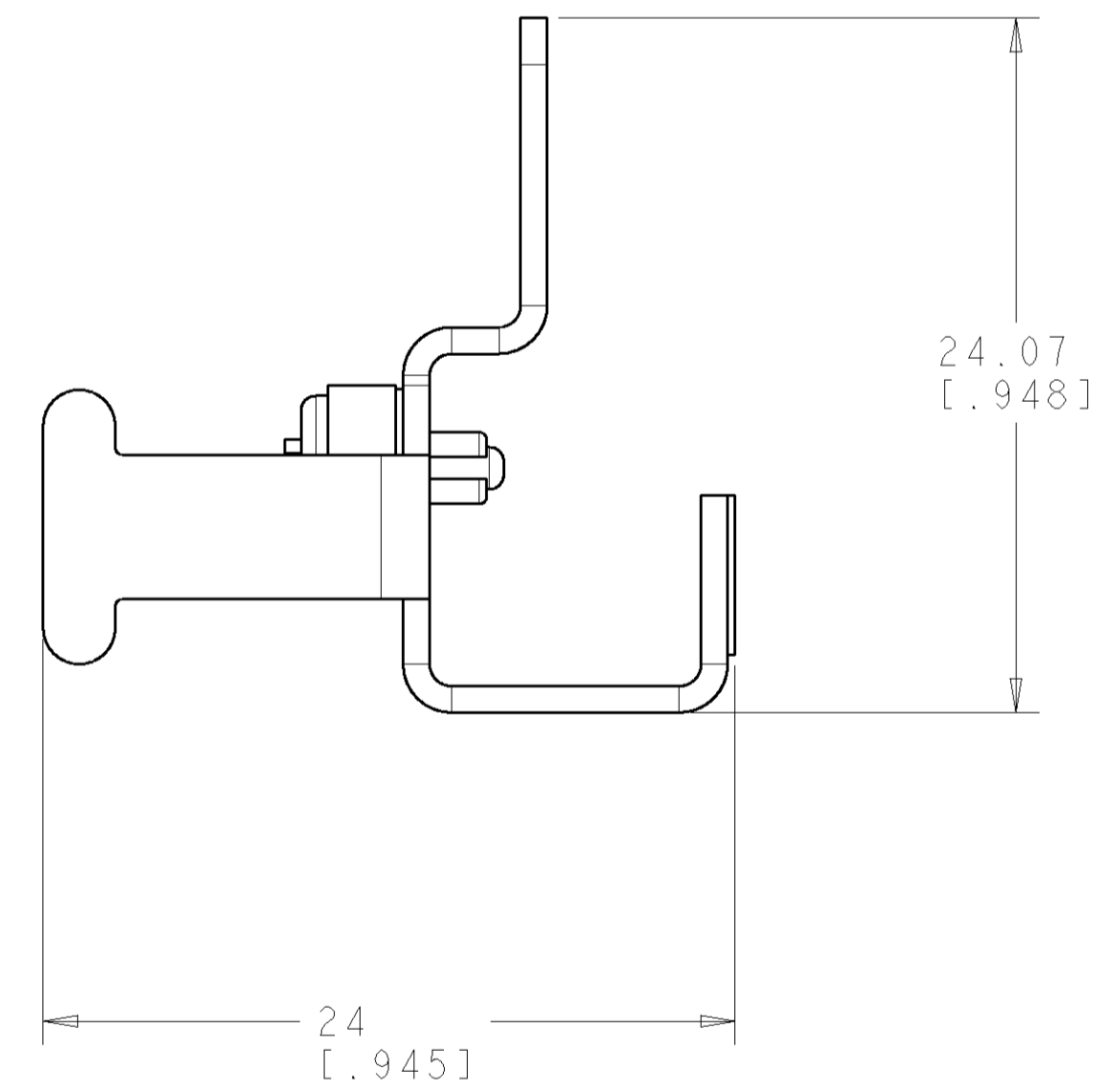
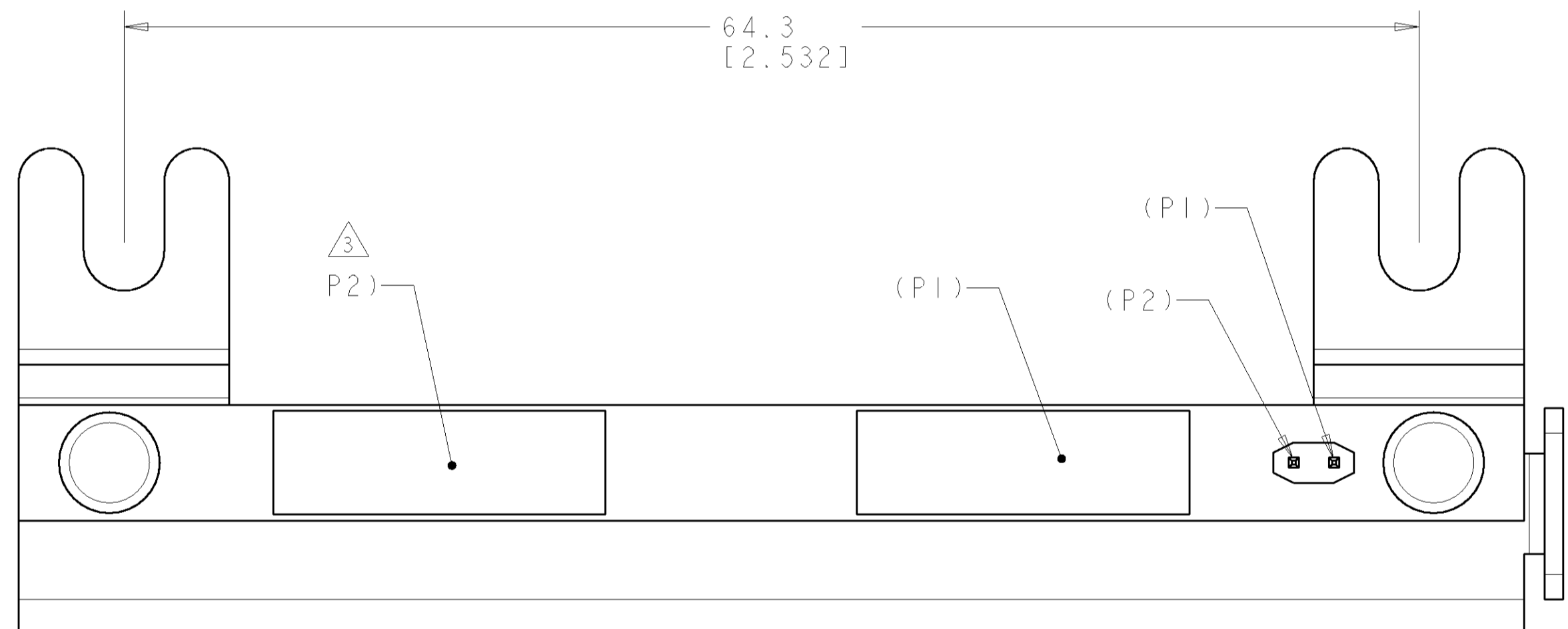


LOC		DIST		REVISIONS			
		P	LTR	DESCRIPTION	DATE	DWN	APVD
		A		RLSD; NPR NS004-136	08NOV2004	GG	PP
		B		ADD: -2; EC 0660-0004-05	25JAN2005	GG	MD



- △ MATERIAL:  
 PRINTED CIRCUIT BOARD - LAMINATED PLASTIC FR-4.  
 ADHESIVE TAPE - MYLAR, 0.38 [0.015] THICK WITH ADHESIVE.  
 HOUSING - THERMOPLASTIC, UL94V-0, BLACK.  
 CONTACTS - COPPER ALLOY.  
 BRACKET - COLD ROLL STEEL, BLACK.  
 RIVETS - NYLON.
- △ ALL DIMENSIONS SHOWN ARE NOMINAL.
- △ (P\_) CALLOUTS ARE FOR PIN TO PAD REFERENCE ONLY.



0.40 [0.016]	1479890-2
2.36 [0.093]	1479890-1
PCB THICKNESS	PART NUMBER

<small>THE INFORMATION CONTAINED HEREIN IS UNCLASSIFIED EXCEPT WHERE SHOWN OTHERWISE. IT IS THE POLICY OF TYCO ELECTRONICS CORPORATION TO MAKE THIS INFORMATION AVAILABLE TO THE PUBLIC UNLESS INDICATED OTHERWISE.</small>		DWN: G. GARRETT 08NOV2004 ENR: P. PEPE 08NOV2004 APVD: P. PEPE 08NOV2004	<b>tyco</b> Electronics Tyco Electronics Harrisburg, PA 17105-3608
DIMENSIONS: MM [INCHES]	TOLERANCES UNLESS OTHERWISE SPECIFIED: 0 PLC ± 1 PLC ± 2 PLC ± 3 PLC ± 4 PLC ± ANGLES ±	PRODUCT SPEC APPLICATION SPEC WEIGHT CUSTOMER DRAWING	NAME: KIT, 2 PORT SENSOR STRIP, AMPTRAC SIZE: A   00779   C=1479890 SCALE: 4:1 SHEET 1 OF 1 REV B